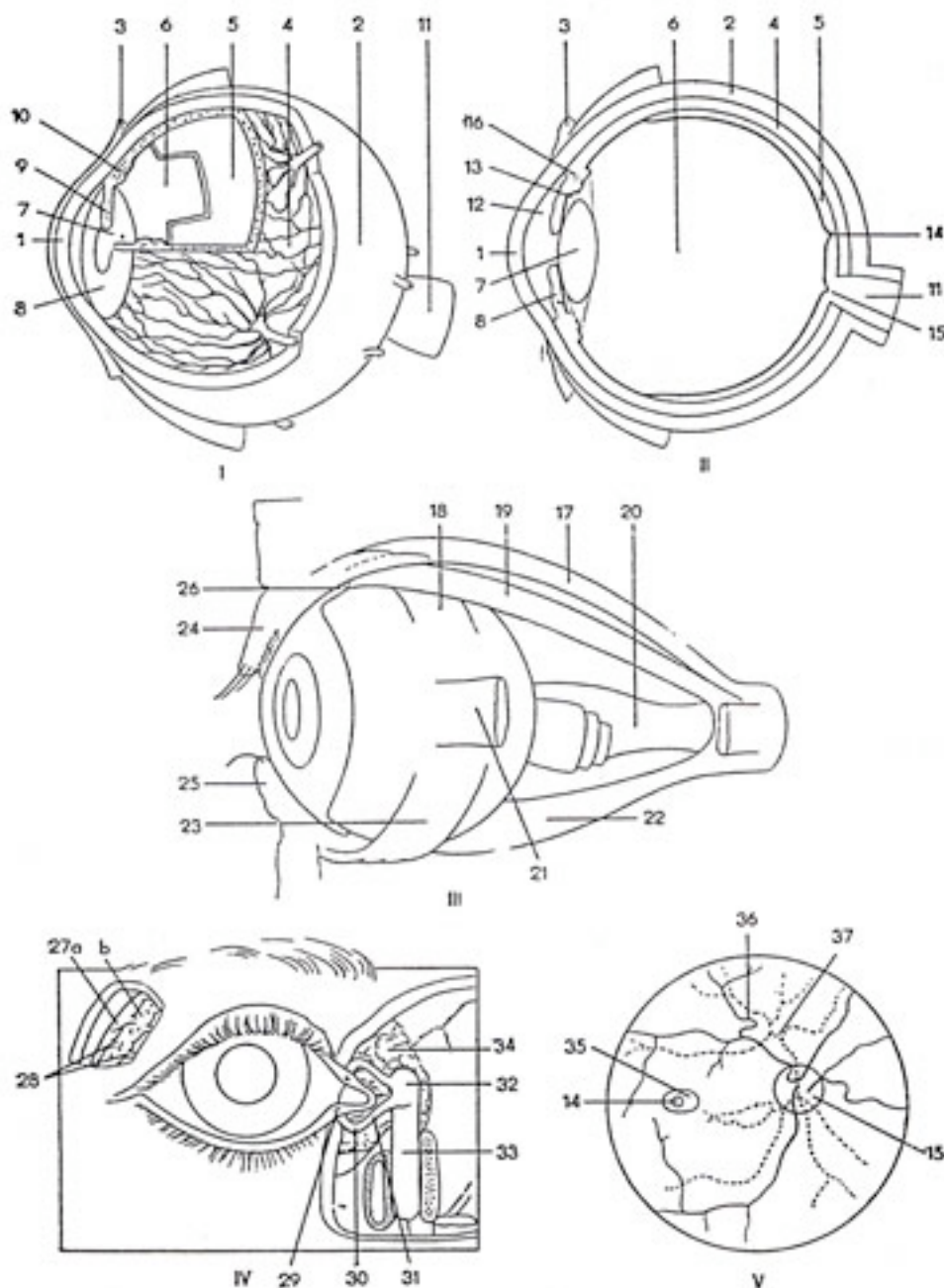


THE EYE I



I Contents of the eyeball

II Horizontal section through the eye

III Muscles of the eyeball

IV Lacrimal apparatus

V Eyeground

1	cornea	14	fovea centralis of retina	27	lacrimal gland (superior/inferior portion)
2	sclera	15	optic disk, Mariotte's blind spot	28	excretory duct of lacrimal gland
3	conjunctiva	16	ciliary body	29	lacrimal point
4	choroid	17	levator of the upper lid muscle	30	ampulla of the lacrimal gland
5	retina	18	attachment of superior oblique muscle	31	lacrimal duct
6	vitreous body	19	superior rectus muscle	32	lacrimal sac
7	lens	20	medial rectus muscle	33	nasolacrimal duct
8	iris	21	lateral rectus muscle	34	fat layer of eyeball
9	sphincter of pupil	22	inferior rectus muscle	35	macula lutea, yellow spot
10	ciliary muscle	23	inferior oblique muscle	36	veins of retina
11	optic nerve	24	upper eyelid	37	arteries of retina
12	anterior chamber of the eye	25	lower eyelid		
13	posterior chamber of the eye	26	conjunctival fold		